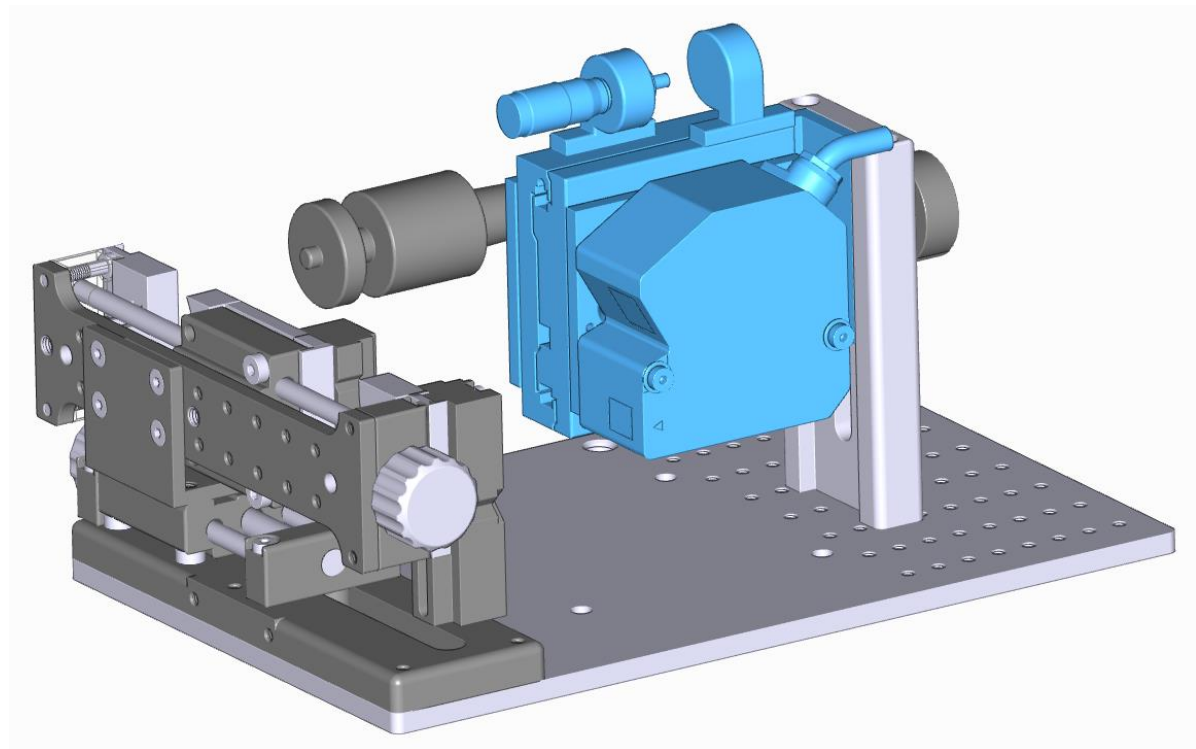


FEATURES



- Compact, transportable, multifunctional transducer measurement platform
- For Micro Speaker, Headphones, Tweeter and any transducer up to 100 g
- Solid but adjustable mounting of laser displacement sensors and measurement microphones
- Different DUT clamping options available with different brackets
- Could easily be modified to own applications, many additional mounting threads are present
- Optimized for KEYENCE LK-H052 Laser sensor, could be used with a wide range of other laser sensors
- Horizontal laser measurement position on the DUT can be continuously accurately positioned by manual linear adjustment.
- Vertical laser measurement position on the DUT can be continuously positioned on the laser mounting slider
- Distance between DUT and laser sensor can be continuously accurately adjusted by optional available TRANSLATION STAGE with MICROMETER SCREW (shown in blue) or on the 10 mm grid on the ground plate.
- Can be modified to a Vacuum Stand to fix loudspeakers during measurement and

adjust its height close to the glass cover of the vacuum chamber

- Can be used to fix loudspeakers at the SCN turntable during Scanning Vibrometer measurements or other RnD measurement tasks

PLEASE NOTE: the TRANSLATION STAGE with micro adjustment and Laser Sensor Head illustrated in blue are not included in the MICRO SPEAKER CLAMPING package.

Article numbers	2211-003; 2211-004
-----------------	--------------------

CONTENT

1 Function..... 3

2 Application field for Micro speaker clamping 4

3 Vacuum Stand 6

4 Application field for Vacuum Stand..... 7

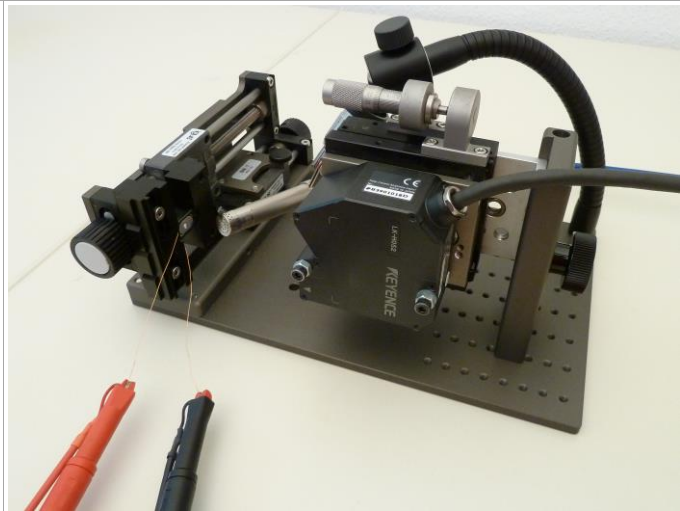
1 Function

Dimensions (without laser, mic and DUT)	260 x 185 x 120 mm (10.24 x 7.28 x 4.72 inch)			
Weight (without laser, mic and DUT)	< 1.80 kg			
Finish	anodized aluminum & plastics			
Material	<ul style="list-style-type: none"> • aluminum • stainless steel • POM – plastic (Polyoxymethylene) for brackets • SHT-Polymer plastic for linear actuator 			
Clamping travel	0 – 135 mm			
External dimensions	width	260 mm		
	depth	186 mm		
	height without laser	120 mm		
	max. height with laser	170 mm		
Accessories (included)	3/8" Gooseneck (mic holder)	Klippel article number	2400-217	
	Swivel Head / Ball Joint	Klippel article number	2400-216	
	<i>Included accessories are shown in the picture above.</i>			
Accessories (not included)	Keyence LK-H052 Laser Sensor Set	Klippel article number	2103-200	
	Keyence LK-H022 Laser Sensor Set	Klippel article number	2103-100	
	Keyence LK-H082 Laser Sensor Set	Klippel article number	2103-300	
	<i>The Micro Speaker Clamping is optimized for LK-H052 usage, but works with LK-H022, LK-H082 and others as well.</i>			
	Translation Stage	Klippel article number	2100-001	
	Microphone	Different microphones can be used depending on the application. See specification "A4 – Microphones" for available microphones.		
	Microphone Clamp	All Klippel offered mic sets have the dedicated mic clamp included. For separate mic clamps see specification "A4 – Microphones".		
<i>Not included accessories are marked blue in the picture at the first page.</i>				

2 Application field for Micro speaker clamping

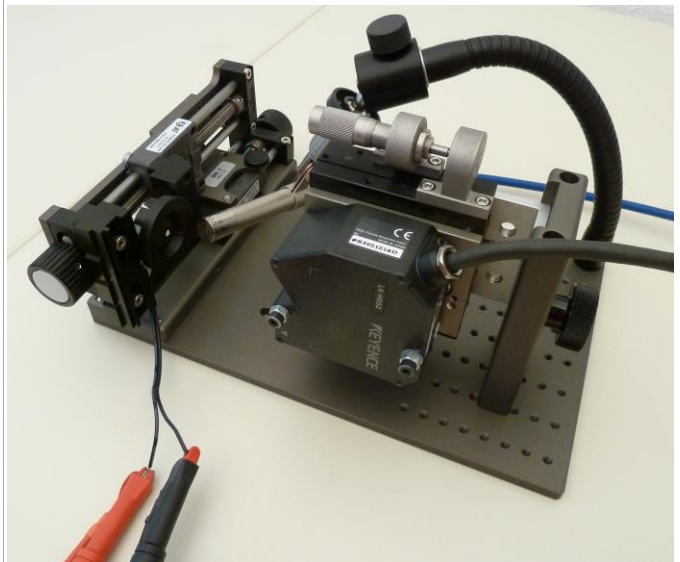
Micro Speaker Clamping with:

- Microspeaker
- Microphone
- Laser KEYENCE LK-H052
- Translation Stage



Micro Speaker Clamping with:

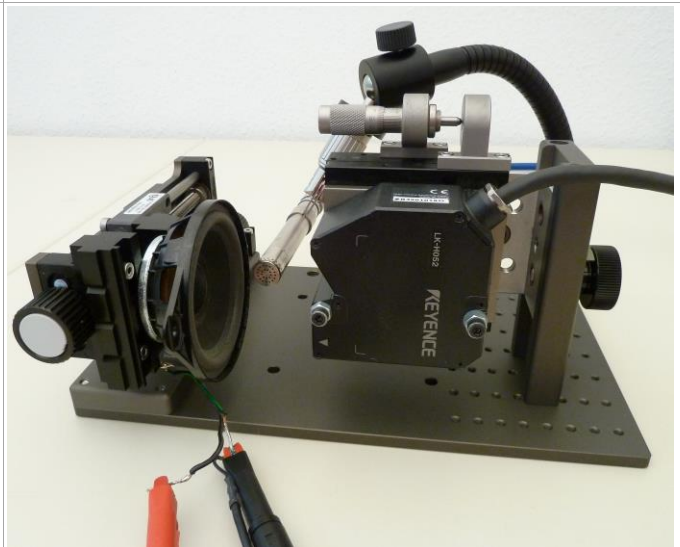
- Speaker (\varnothing 3,8 cm, 35 g)
- Microphone
- Laser KEYENCE LK-H052
- Translation Stage



Micro Speaker Clamping with:

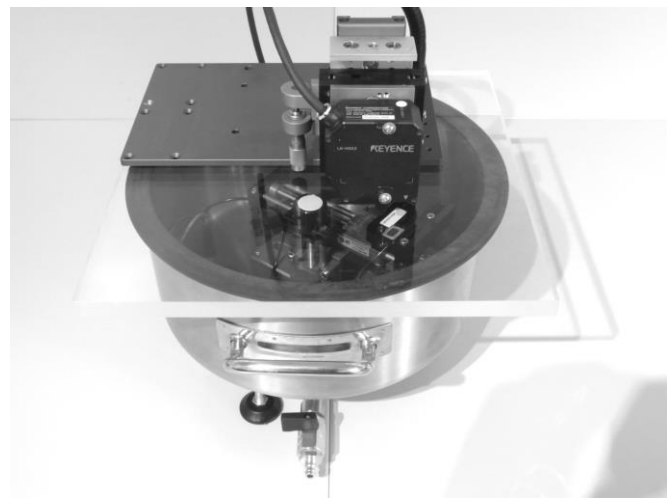
- Speaker (\varnothing 8 cm, 105 g)
- Microphone
- Laser KEYENCE LK-H52
- Translation Stage

Depending on size, shape, material, and weight of the DUT customized clamping brackets could be helpful. The brackets can be easily exchanged.



Micro Speaker Clamping with Vacuum Chamber:

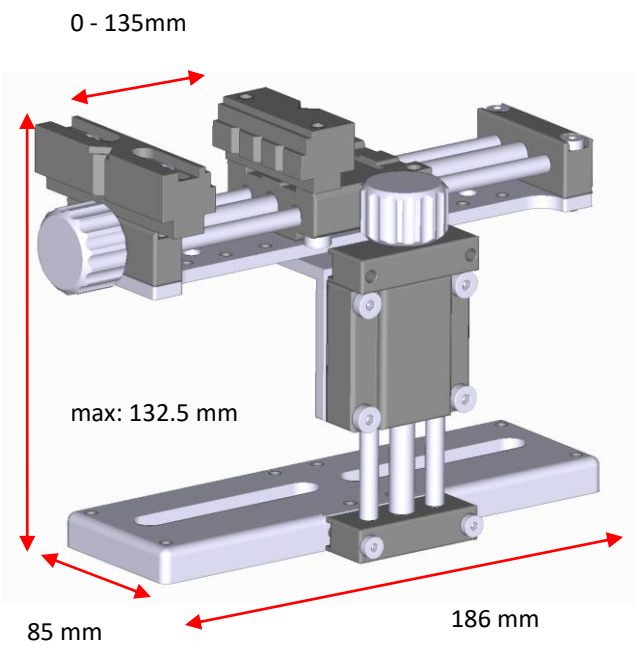
- The Vacuum Stand can be used to adjust the distance between DUT inside the Vacuum Chamber and the glass plate (Laser Sensor outside).
- The platform from the Micro Speaker Clamping can be used to place the laser sensor above the DUT at the Vacuum Chamber.



3 Vacuum Stand

(Modification of the Micro Speaker Clamping or available on its own)

Function		
Dimensions (without DUT)	185 x 85 x 135 mm (7.28x 3.35 x 5.31inch)	
(without DUT)	< 0.65 kg	
Finish	anodized aluminum & plastics	
Material	<ul style="list-style-type: none"> • aluminum • stainless steel • POM – plastic (Polyoxymethylene) for brackets • SHT-Polymer plastic for linear actuator 	
Clamping travel	0 – 135 mm	
Height travel	58 to 132.5 mm over ground	
External dimensions	width	186 mm
	min. depth	72 mm
	max. depth	92 mm
	min. height	116 mm
	max. height	132.5 mm



4 Application field for Vacuum Stand

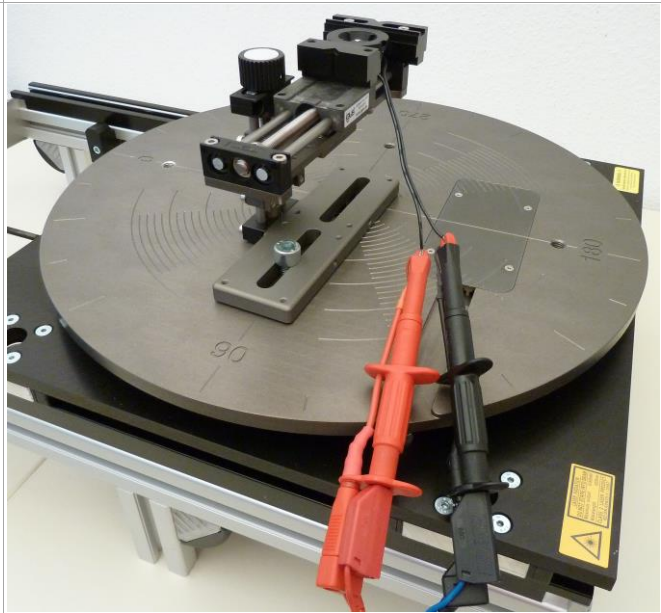
Vacuum Stand in the vacuum pot with:

- Micro Speaker
Height adjusted to glass plate for laser measurements from outside



Vacuum Stand mounted on the Scanning Vibrometer turntable:

- For DUT clamping during Scanning Measurements and
- All other RnD measurements for small sized speaker if the Scanning Vibrometer is used as Laser stand.



Find explanations for symbols at:

<http://www.klippel.de/know-how/literature.html>

Last updated: January 04, 2021

